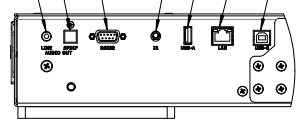
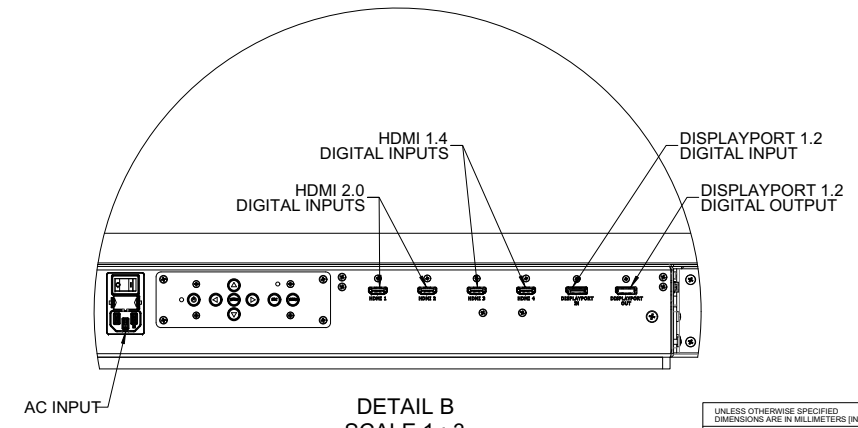
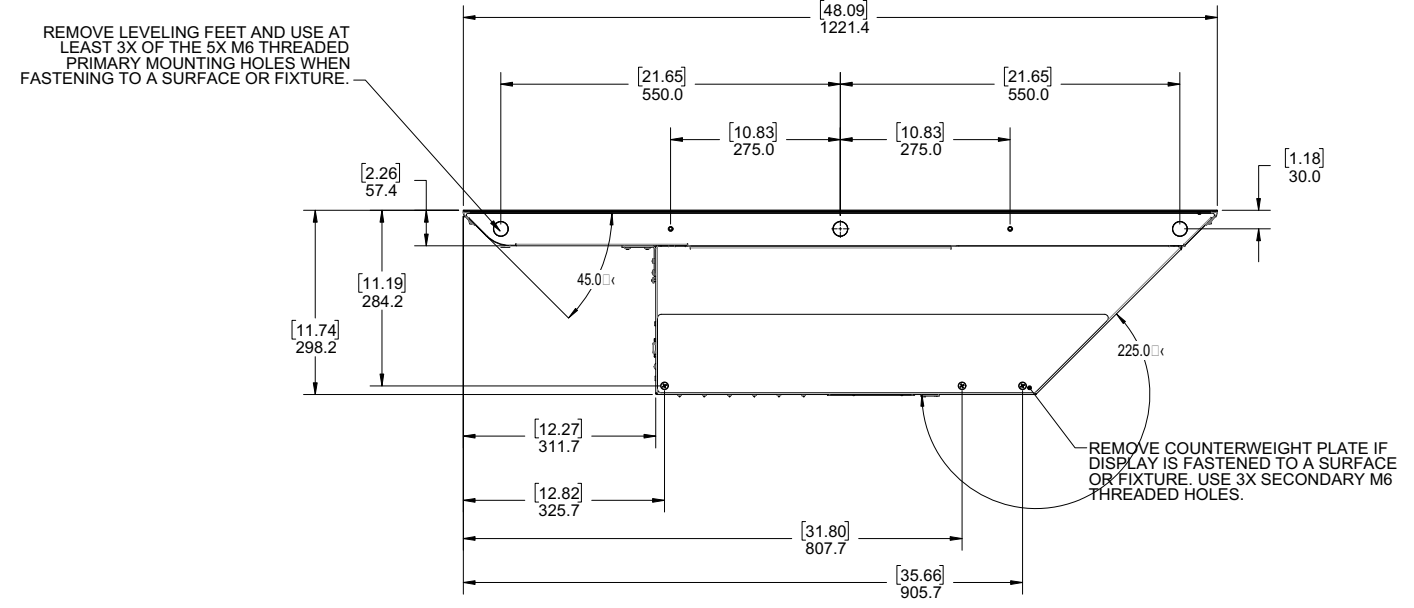
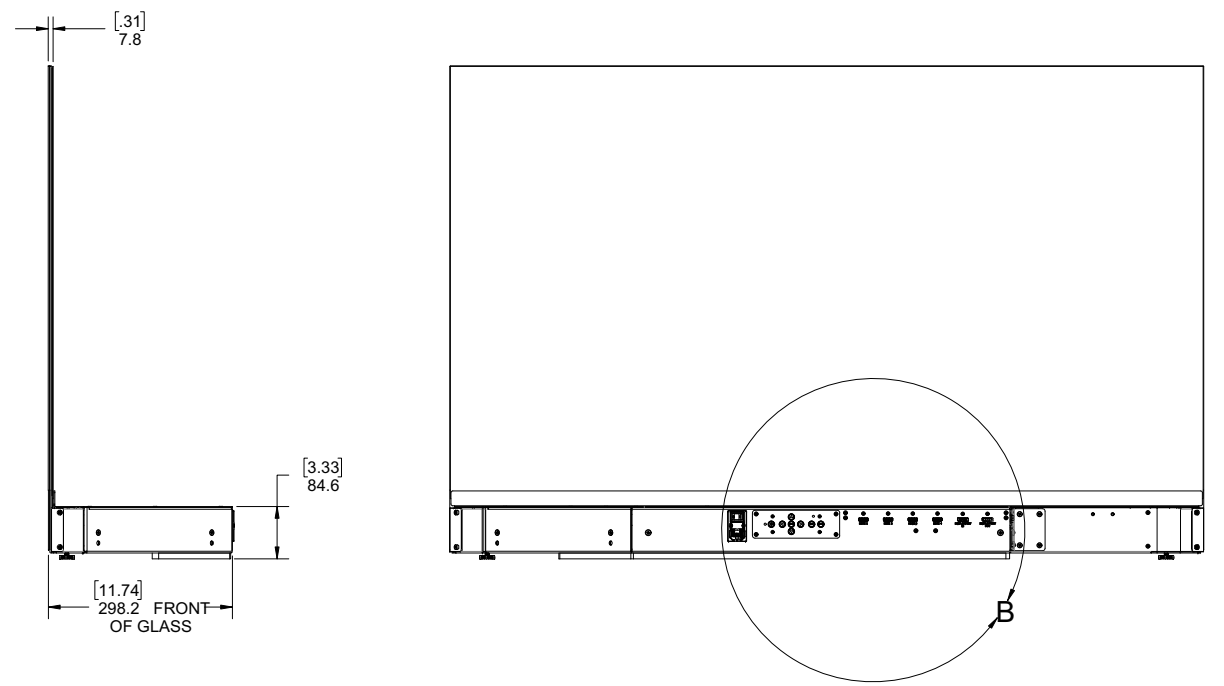
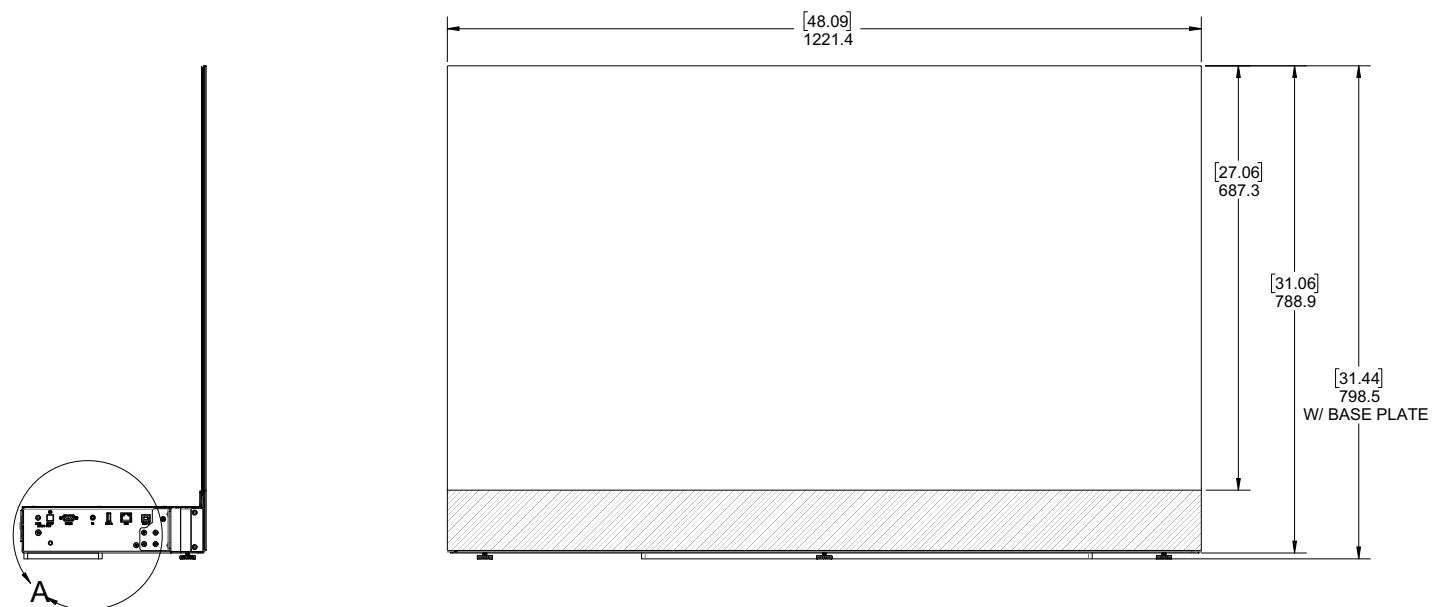
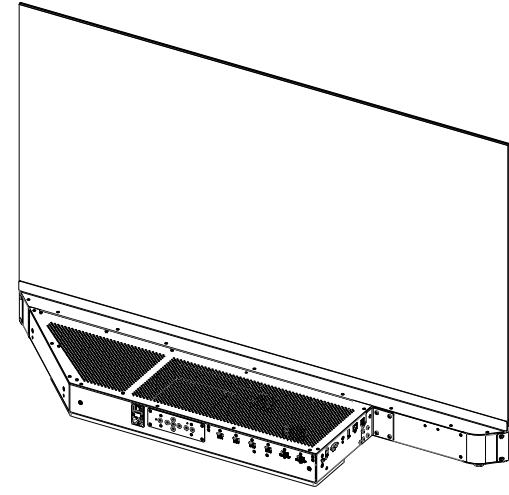
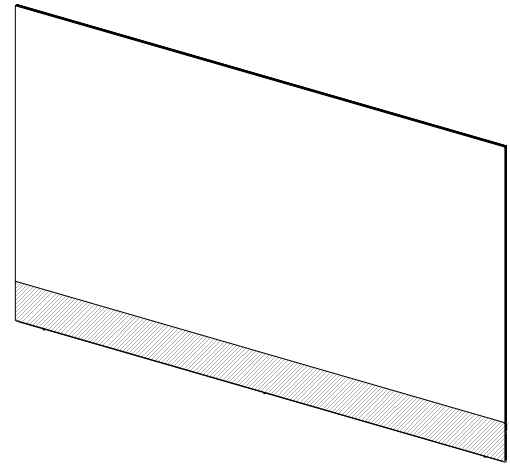


REVISION HISTORY					
ECO	ZONE	REV.	DESCRIPTION	DATE	APPR'D
		A	PRODUCTION RELEASE	5.11.16	TL

RS-232, DB-9 FEMALE
SPDIF AUDIO
LINE AUDIO
REMOTE IR
USB-A, FIRMWARE UPDATES
LAN
USB-B, SERIAL COMMANDS



DETAIL A
SCALE 1 : 3



DETAIL B
SCALE 1 : 3

REMOVE LEVELING FEET AND USE AT LEAST 3X OF THE 5X M6 THREADED PRIMARY MOUNTING HOLES WHEN FASTENING TO A SURFACE OR FIXTURE.

REMOVE COUNTERWEIGHT PLATE IF DISPLAY IS FASTENED TO A SURFACE OR FIXTURE. USE 3X SECONDARY M6 THREADED HOLES.

1. SPECIFICATIONS SUBJECT TO CHANGE WITHOUT NOTICE.
NOTES: UNLESS OTHERWISE SPECIFIED.

UNLESS OTHERWISE SPECIFIED DIMENSIONS ARE IN MILLIMETERS (INCHES)		ENGR BY	T.Loewy	8.4.15	PLANAR SYSTEMS, INC. 1195 NW COMPTON DRIVE BEAVERTON, OR 97008 USA
TOLERANCES:		DRAWN BY	T.Loewy	8.4.15	
X= ±1	XX= ±25	CHECKED BY			TITLE
X= ±5	∠= ±1°	USED ON			LOOK THRU - OLED STANDARD
DIMENSIONING AND TOLERANCING PER ASME Y14.5M-1994		MATERIAL			SIZE
THIRD ANGLE PROJECTION		FINISH			PART NO.
					DRAWING NO.
					REV
					D
					997-8219-00
					997-8219-00
					A
					SCALE
					1:6
					DO NOT SCALE
					SHEET
					1 OF 1

THIS DRAWING CONTAINS INFORMATION PROPRIETARY TO PLANAR SYSTEMS, INC. ANY REPRODUCTION IN PART OR WHOLE WITHOUT THE WRITTEN PERMISSION OF PLANAR SYSTEMS IS PROHIBITED. THIS DRAWING IS SUPPLIED FOR INFORMATION, IDENTIFICATION, ENGINEERING, EVALUATION, AND/OR INSPECTION PURPOSES ONLY AND MAY NOT BE USED AS BASIS FOR THE MANUFACTURING OF PRODUCTS OR THE FURNISHING OF SERVICES TO PLANAR SYSTEMS OR TO ANY THIRD PARTY UNLESS AUTHORIZED IN WRITING BY PLANAR SYSTEMS.