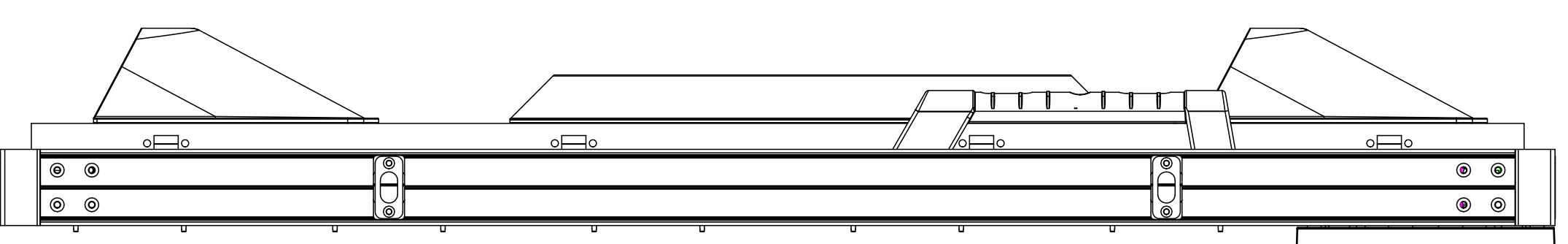
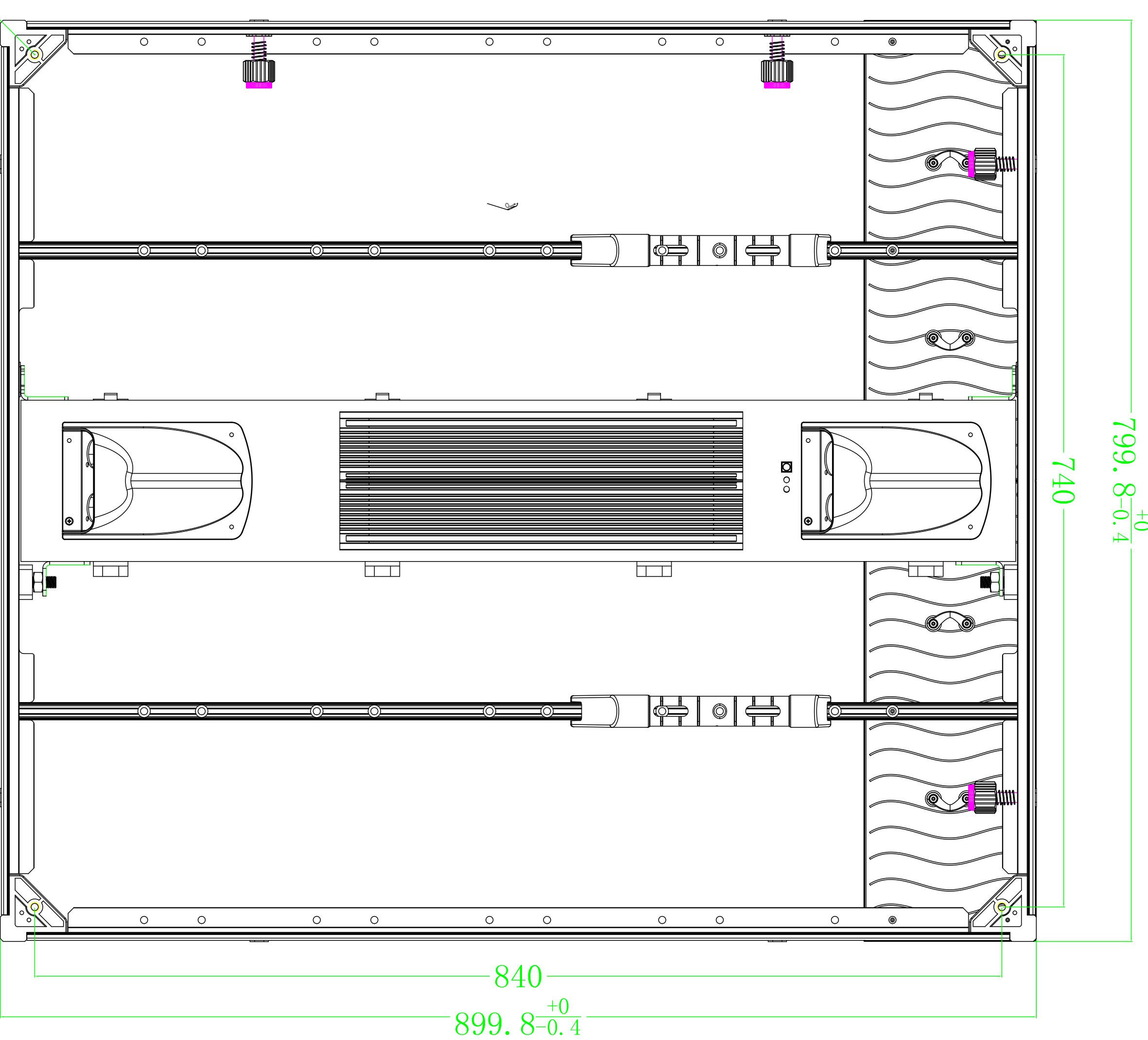


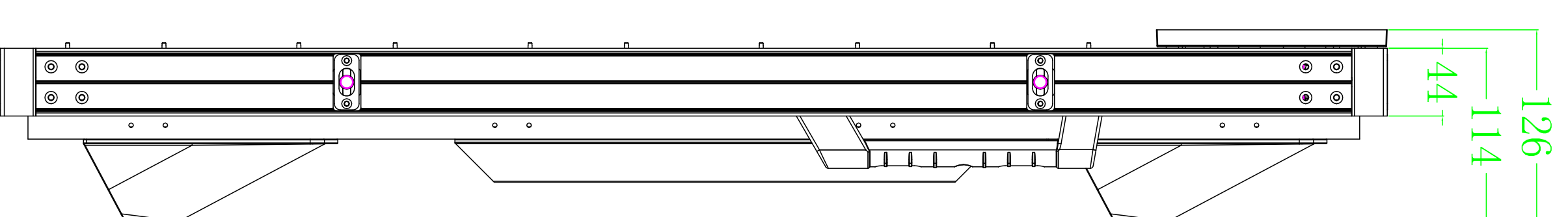
Bottom View



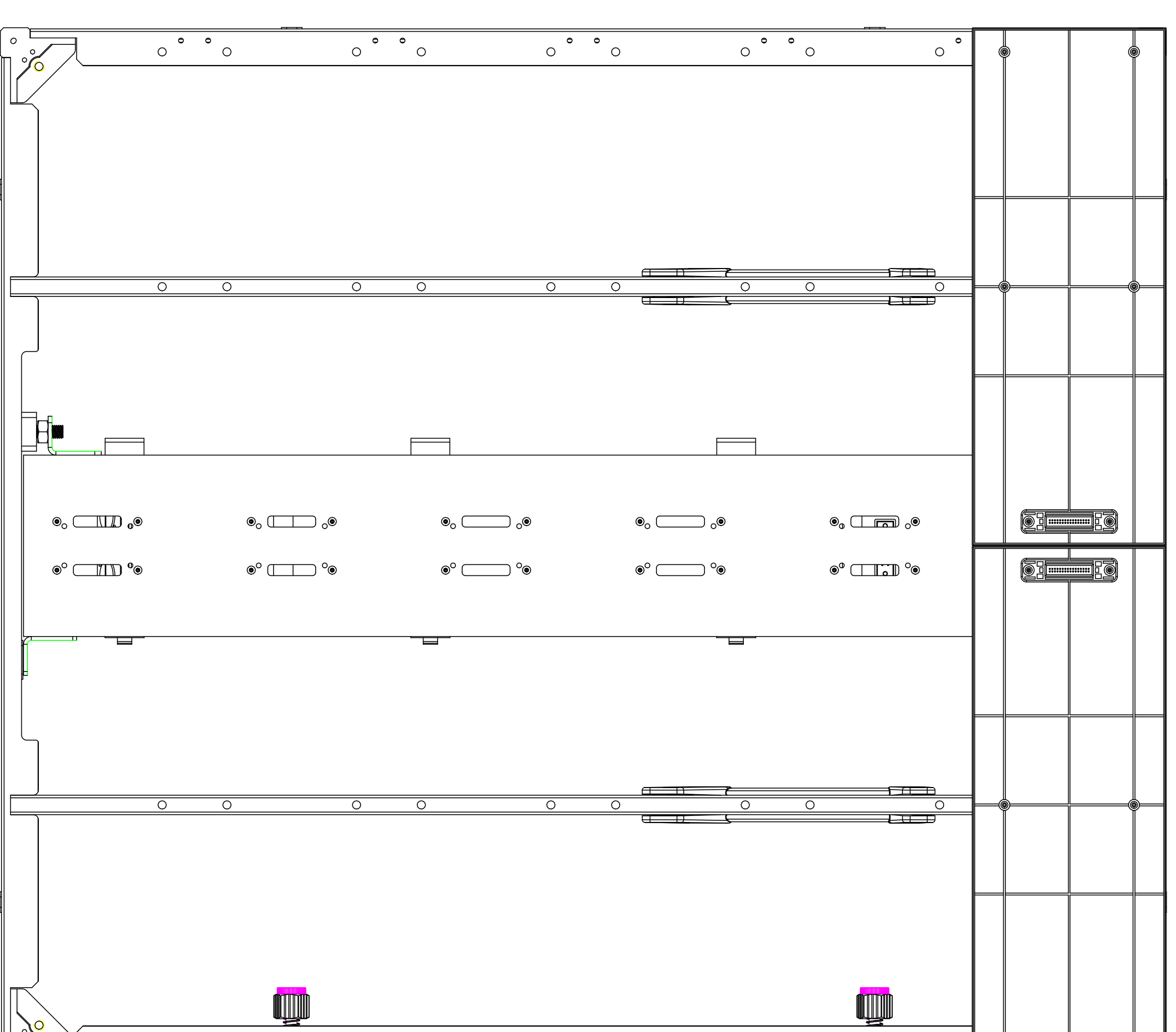
Side View



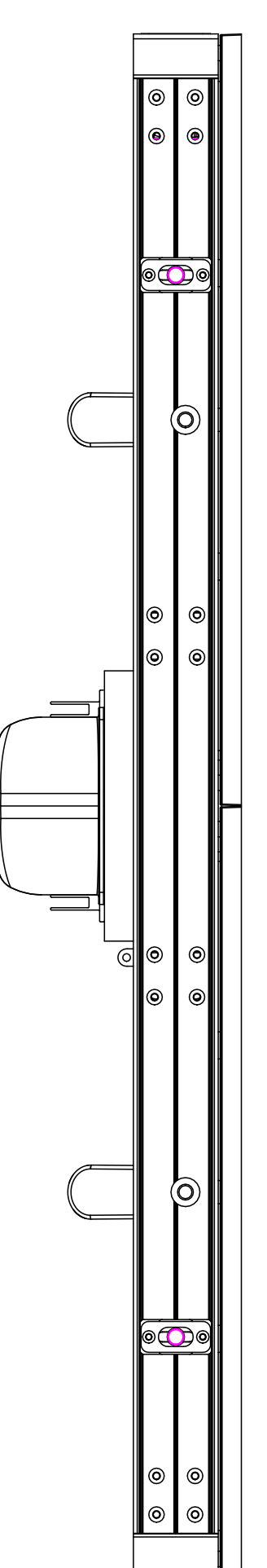
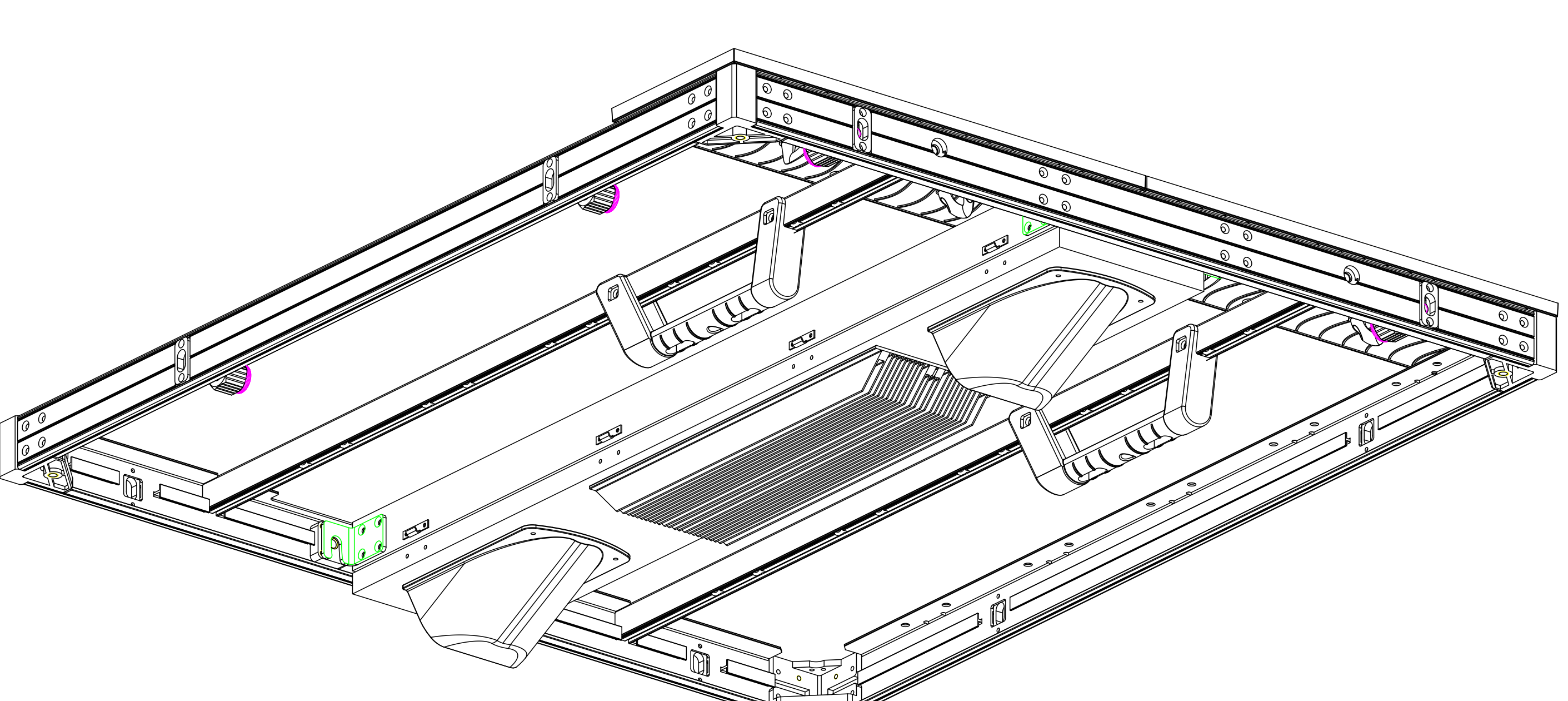
Back View



Side View



Front View



Top View

SPPCI the un-stated measurement unit is based on MM.

MATERIAL	COLOR	TITLE	
FINISH		MODEL	PAGE
COATING		DESIGN	ECN NO.
HARDNESS	SIZE	CHKD	PART NO.
	A4	APPD	REV
			A
REV	ZONE	FOR TOOLING- RELEASE	DRFT BY
		CHANGE DESCRIPTION	CHKD BY
			DATE